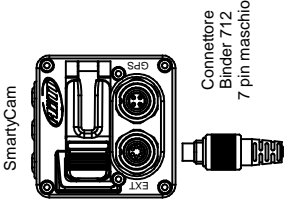
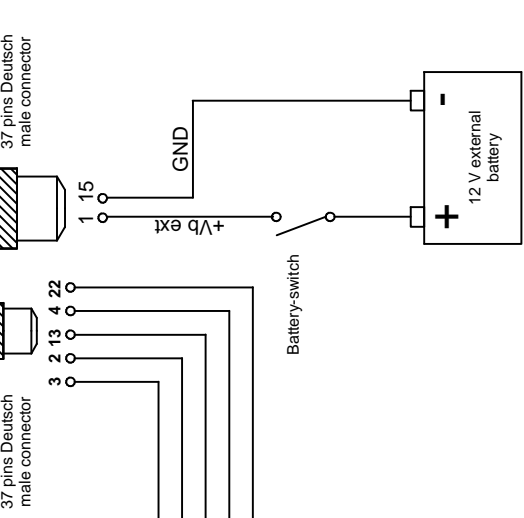


MXL Pro05



Connettore Binder 712
7 pin maschio



CAN+ = CAN Bus+ - signal
GND = Ground
+Vb = Power on signal
CAN- = CAN Bus- signal
+Vb ext = 12V power and SmartyCam battery charge (with MXL on only)
+mic = external microphone + signal
GND = external microphone - signal

Rif. / Ref.	Q.tà / Q.ty	Materiale / Material		N. articolo / Item N.	
Progettato da / Designed by	Contr. da / Ckd. by	Approvato da / Approved by	Nome file / File name	Data / Date	Scala / Scale
<p>Racing Data Power</p>		Titolo / Title			
		Schema elettrico collegamento SmartyCam-MXL Pro05			
N. disegno / Drawing N.				Rev. / Rev.	Foglio / Sheet
				2 Binder	1 of 1